

Plumbing Contractor Contact Information

Installation Date: _____

Name: _____

Address: _____

Office #: _____

Cell #: _____

HOMEOWNER MAINTENANCE INSTRUCTIONS



GUARDIAN®

EMERGENCY BACK UP WATER POWERED SUMP PUMP

Plumbing Contractor Contact Information

Installation Date: _____

Name: _____

Address: _____

Office #: _____

Cell #: _____

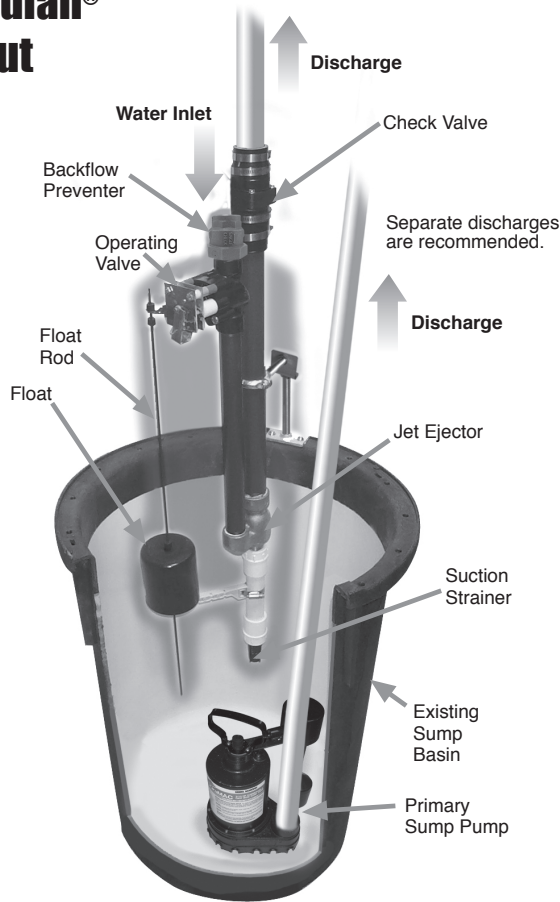
HOMEOWNER MAINTENANCE INSTRUCTIONS



GUARDIAN®

EMERGENCY BACK UP WATER POWERED SUMP PUMP

Guardian® Layout



To assure proper function of your Guardian® Pump. The following **must** be done every two months:

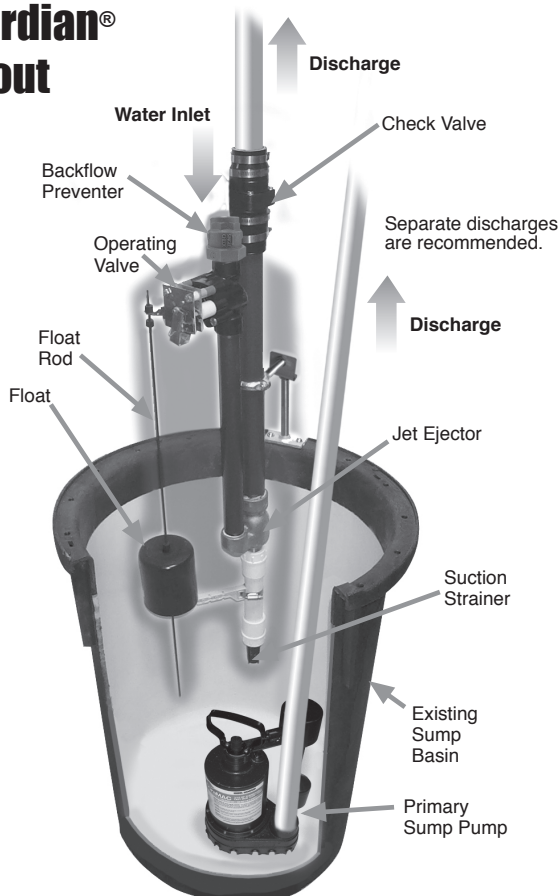
1. **Disconnect power to the primary pump prior to performing maintenance.**
2. Check the suction strainer and discharge pipe for obstructions. Verify that the system is free of leaks.
3. Check the float rod for sediment build-up and remove any deposits.
4. Check the primary electrical sump pump float and the Guardian® float to assure that no obstructions will affect the proper motion of the floats.
5. Be sure power has been disconnected from the primary electrical sump pump and allow water to rise in the sump until it activates the Guardian® Pump.
6. After the Guardian® Pump has been tested, reconnect the existing primary electrical sump pump to its power source.
7. If any concerns or questions arise, please contact your local plumbing contractor.

Notes:

1. **It is normal for water to RUN out of the operating valve during operation of the Guardian®.**
2. Run Time - The Guardian® Pump will run for approximately 30 seconds to 1 minute after the float drops to the off position before actually shutting off.

Failure to follow this regular maintenance schedule may result in a flood.

Guardian® Layout



To assure proper function of your Guardian® Pump. The following **must** be done every two months:

1. **Disconnect power to the primary pump prior to performing maintenance.**
2. Check the suction strainer and discharge pipe for obstructions. Verify that the system is free of leaks.
3. Check the float rod for sediment build-up and remove any deposits.
4. Check the primary electrical sump pump float and the Guardian® float to assure that no obstructions will affect the proper motion of the floats.
5. Be sure power has been disconnected from the primary electrical sump pump and allow water to rise in the sump until it activates the Guardian® Pump.
6. After the Guardian® Pump has been tested, reconnect the existing primary electrical sump pump to its power source.
7. If any concerns or questions arise, please contact your local plumbing contractor.

Notes:

1. **It is normal for water to RUN out of the operating valve during operation of the Guardian®.**
2. Run Time - The Guardian® Pump will run for approximately 30 seconds to 1 minute after the float drops to the off position before actually shutting off.

Failure to follow this regular maintenance schedule may result in a flood.